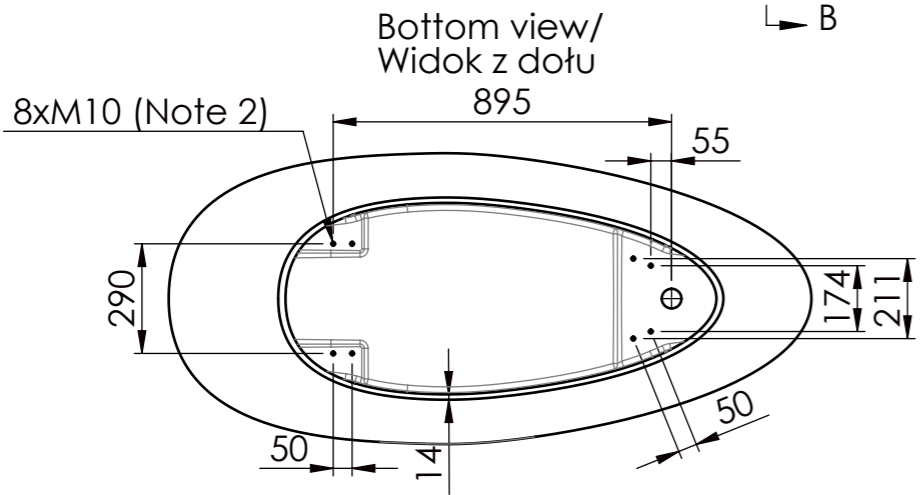
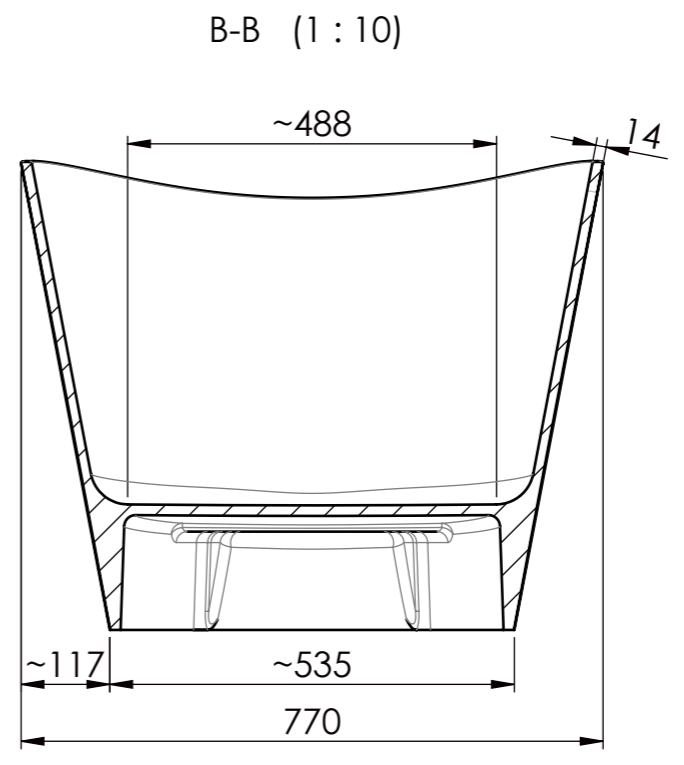
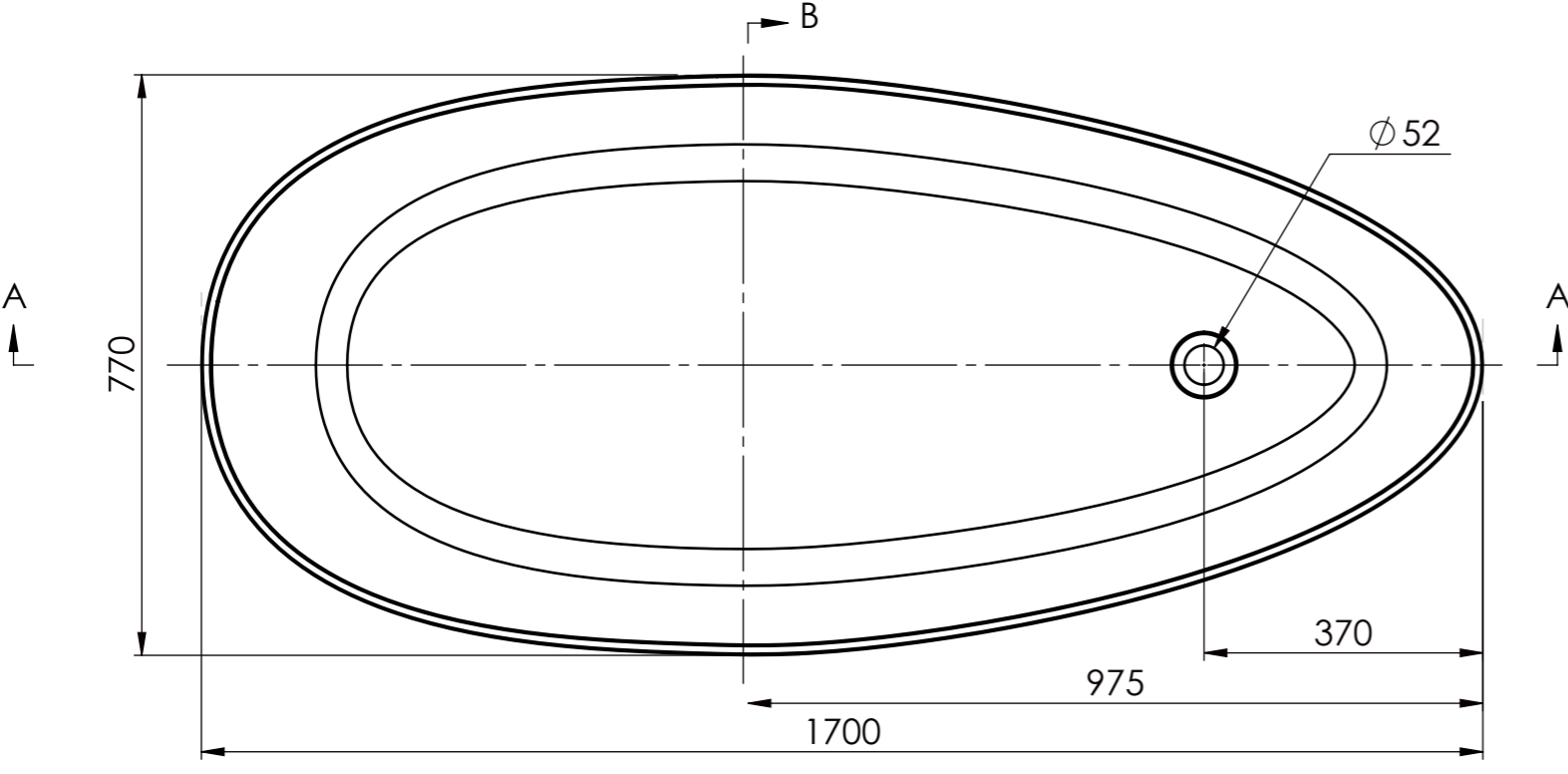
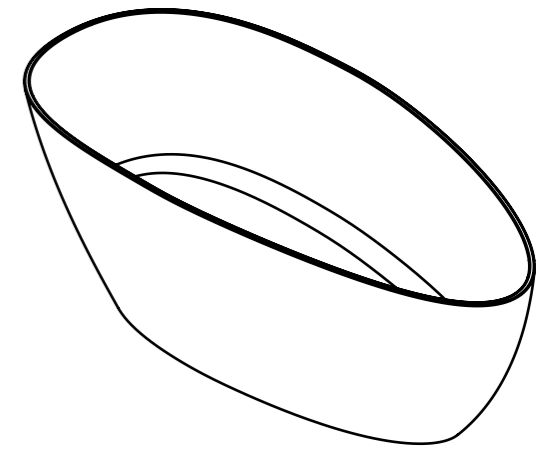
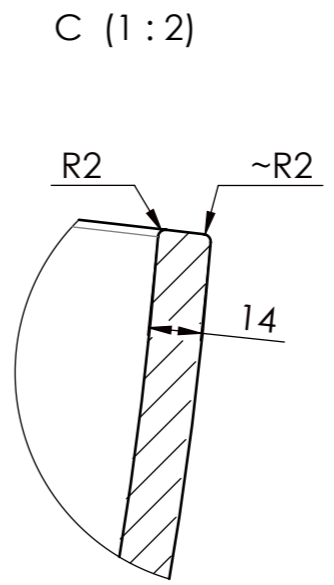
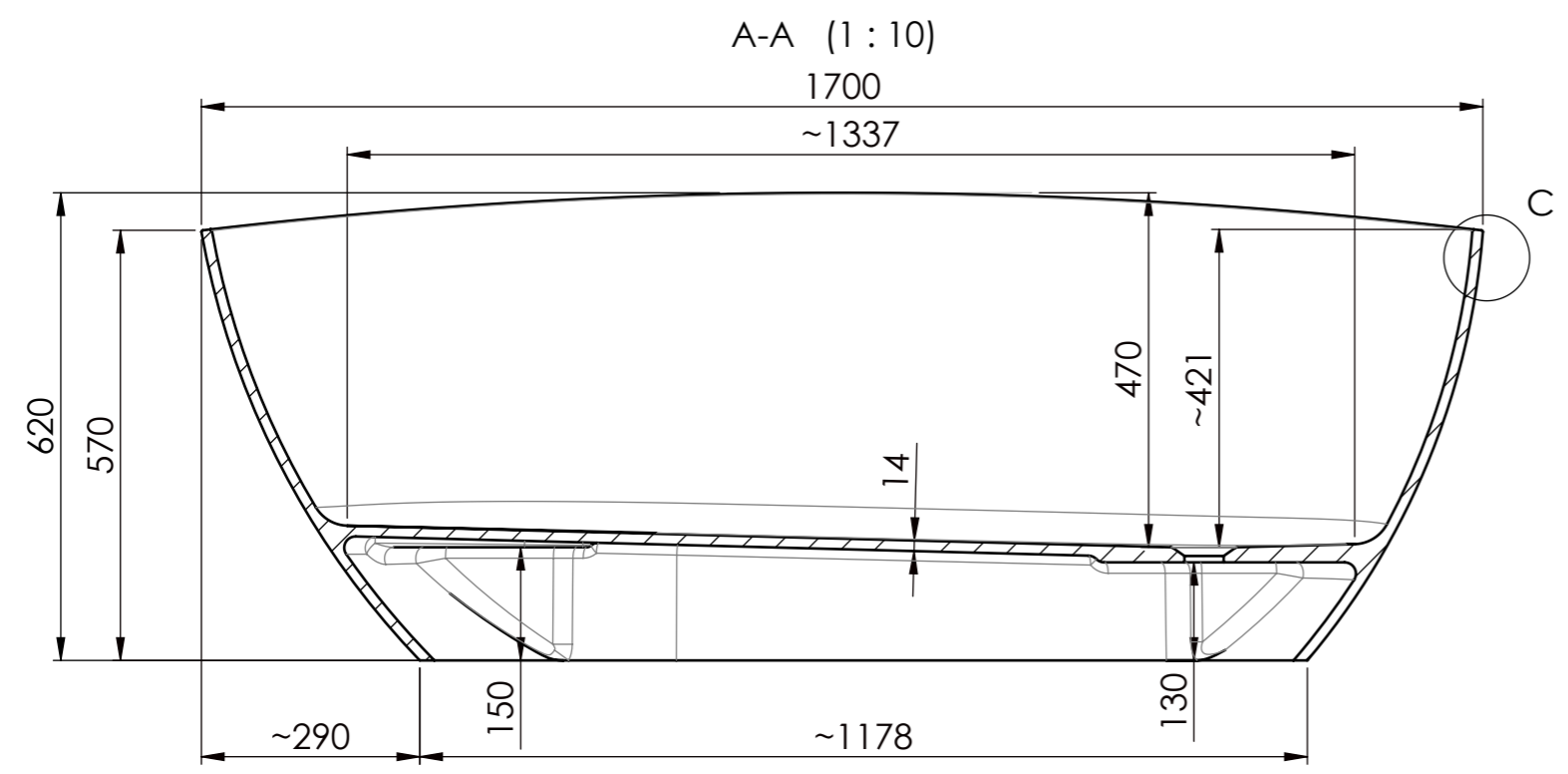


1 2 3 4 5 6 7 8

A  
B  
C  
D  
E  
F

A  
B  
C  
D  
E  
F



Tolerance length/width/height	+10/-10 mm	Drawn by	Created Date	Checked by	
Tol. plane bending	≤800 mm	+1,5/-1,5 mm	Project status	Client	
	>800 mm	+3/-3 mm			
Tolerance holes location	+3/-3 mm				
Tolerance wall thickness	+1/-1 mm				
Tolerance feet location	+5/-5 mm				
		Material volume[mm <sup>3</sup> ]	Overflow	Tap hole	Main dimensions L x W / H [mm]
			No	0	1700 x 770 / 620
		Surface area[mm <sup>2</sup> ]	Sheet Size	Scale	Drain
			A3	1:10	Regular
					Current revision
					001

1 2 3 4 5 6 7 8